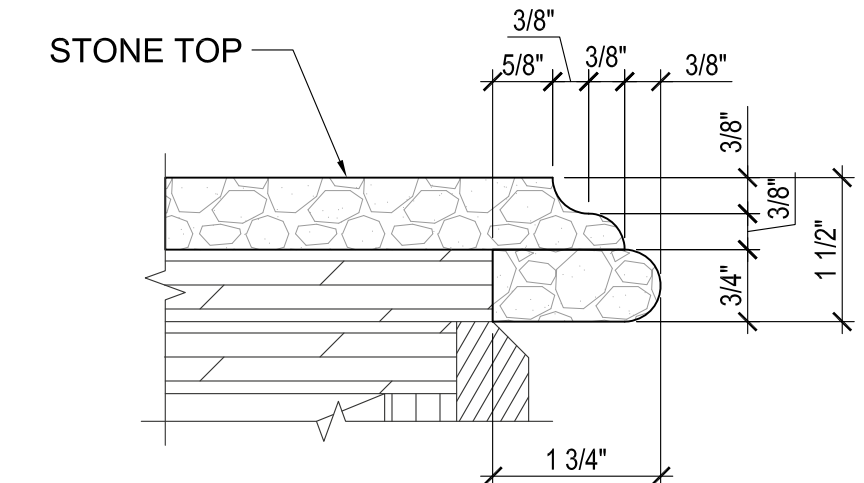
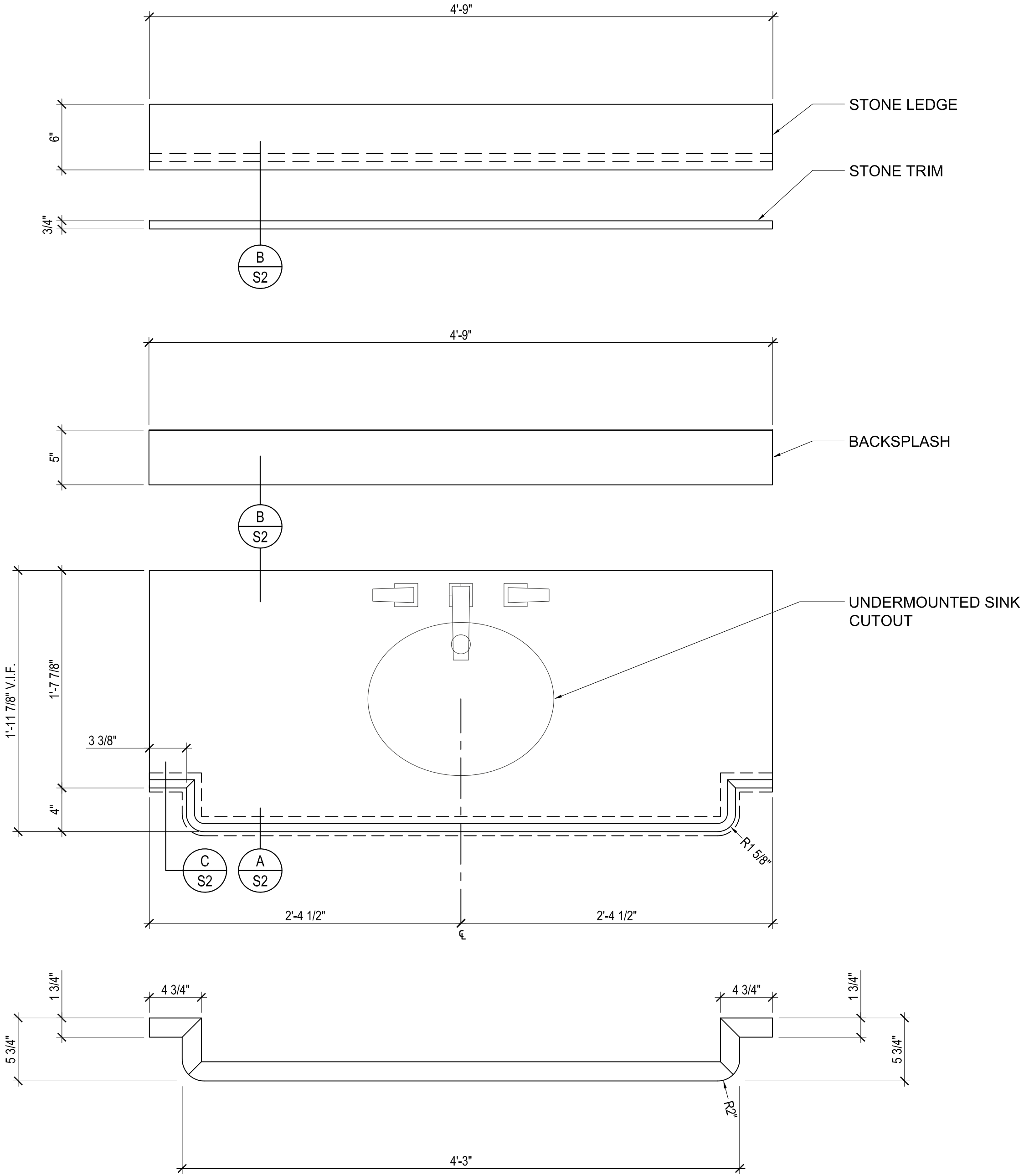
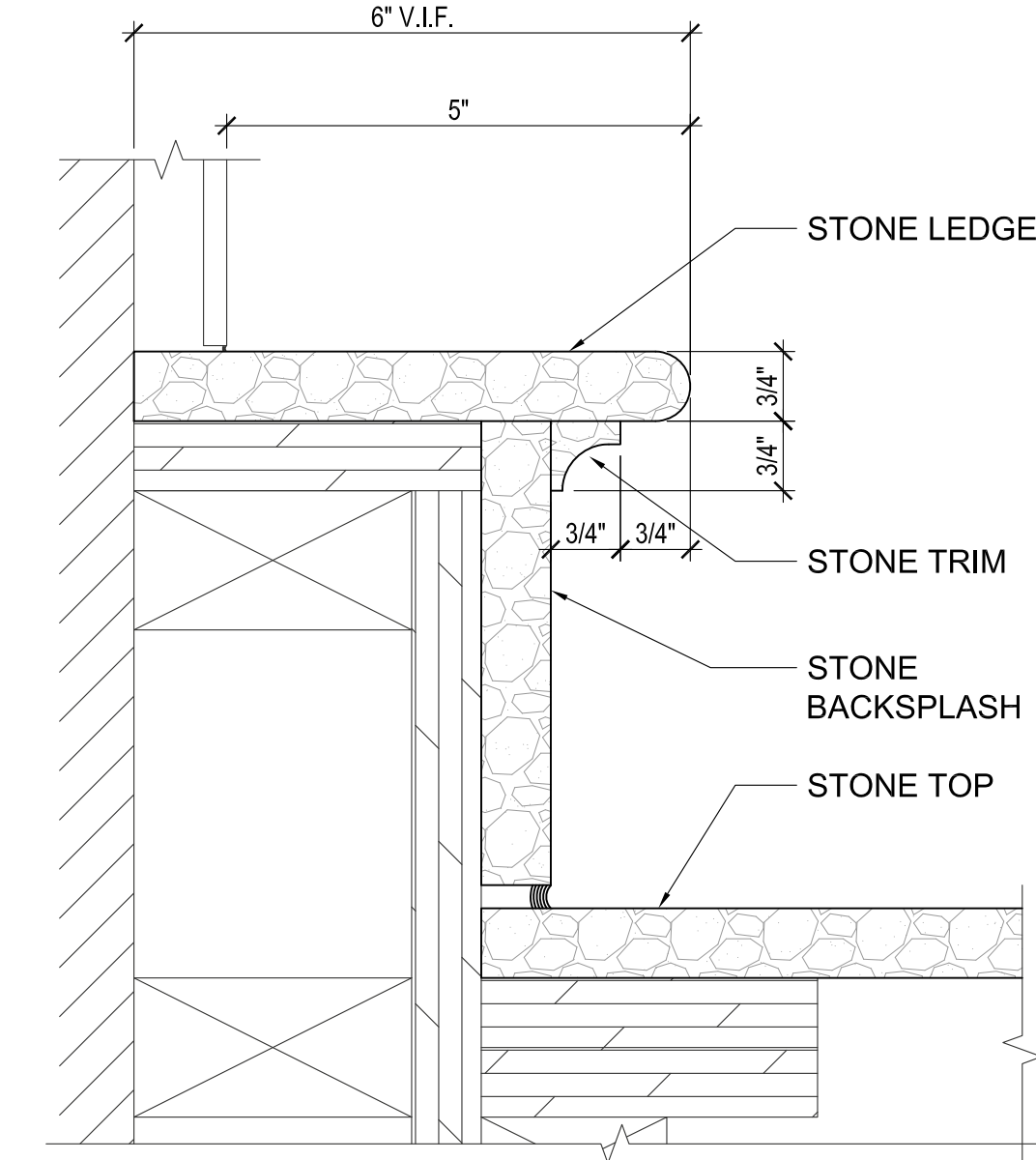


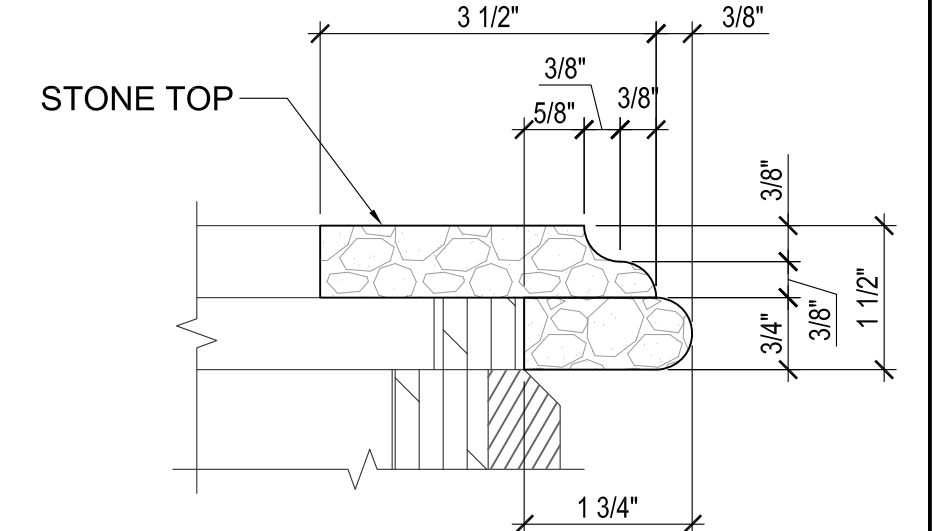
VANITY SCHEDULE				
ROOM TYPE	QTY.	WIDTH (W)	DEPTH (D)	HEIGHT
KNGD	20	4'-9"	2'-3"	2'-11"
TOTAL	20 REQD.			



C DETAIL
SCALE: 6" = 1'-0"
ARCH REF. : 05/ID.800.402



B DETAIL
SCALE: 6" = 1'-0"
ARCH REF. : 01/ID.800.402



A DETAIL
SCALE: 6" = 1'-0"
ARCH REF. : 02/ID.800.402

1 GUESTROOM BATHROOM COUNTERTOP
SCALE: 1-1/2" = 1'-0"
ARCH REF. : 02/ID.800.400
20 required total

ST-03	DESCRIPTION/NAME	BETTY ANN YARBOROUGH
	MANUFACTURER	ARIZONA TILE
	PRODUCT/STYLE	OPAL WHITE
	COLOR/FINISH	POLISHED
	SIZE	2CM STONE

PROJECT:
PROJECT NAME
ADDRESS

△
△
△
DRAWN BY: ARD
DATE: SEP. 20, 2023
PAGE #: S2